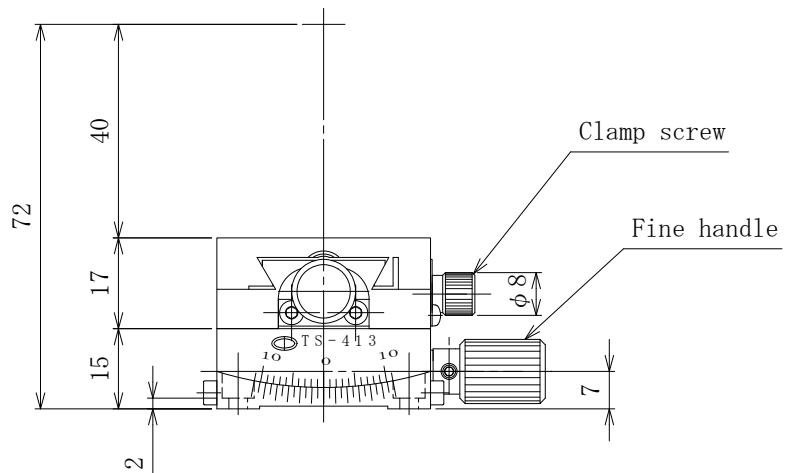


4-3.5 mounting hole,
6 deep counterbore



* Lead of actuator Upper axis (TS-412) approx. $1^{\circ} 20'$
Lead of actuator Lower axis (TS-413) approx. $1^{\circ} 1' 32''$

TD-412

Two axis goniometer stage 40×40

 CHUO PRECISION INDUSTRIAL CO., LTD.

rev.4

*Mounting screw : Hexagon socket head cap screw M3, 4 screws