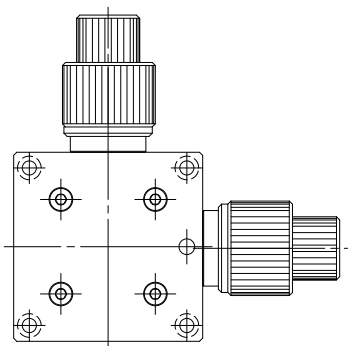
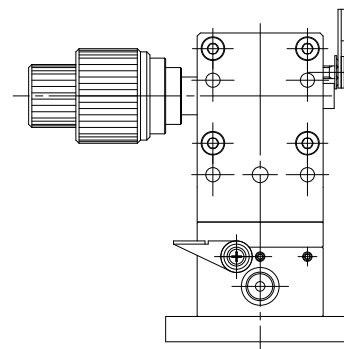
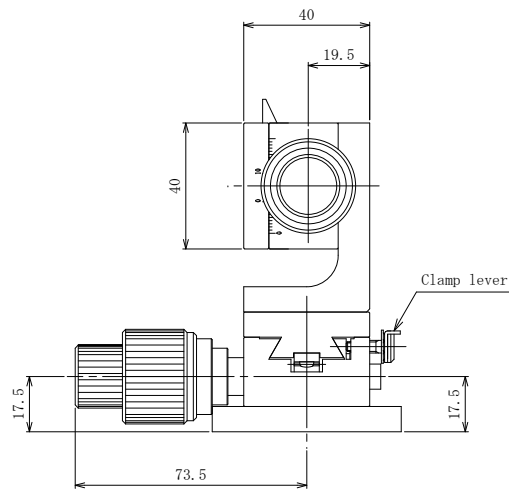
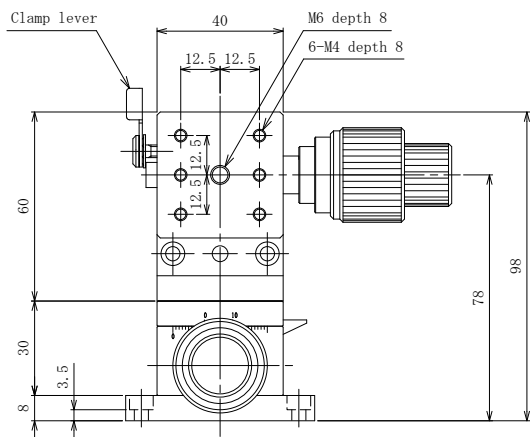


4-4.5 mounting hole,
7.5 deep counterbore



LM-412S

DT XZ axis stage 40×40 (handle Coarse)

 CHUO PRECISION INDUSTRIAL CO., LTD.

*Mounting screw : Hexagon socket head cap screw M4, 4 screws