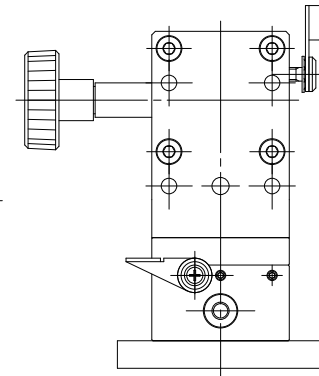
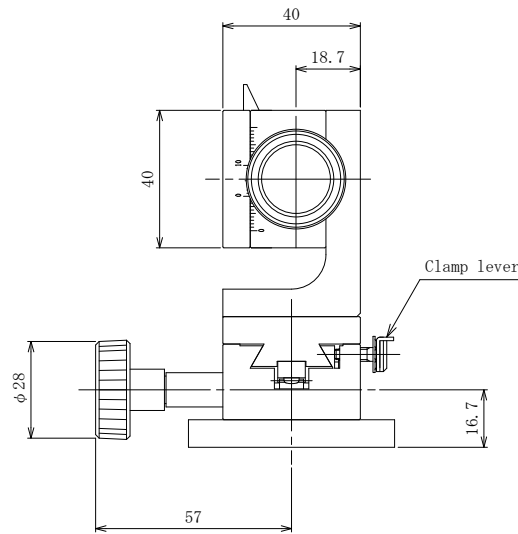
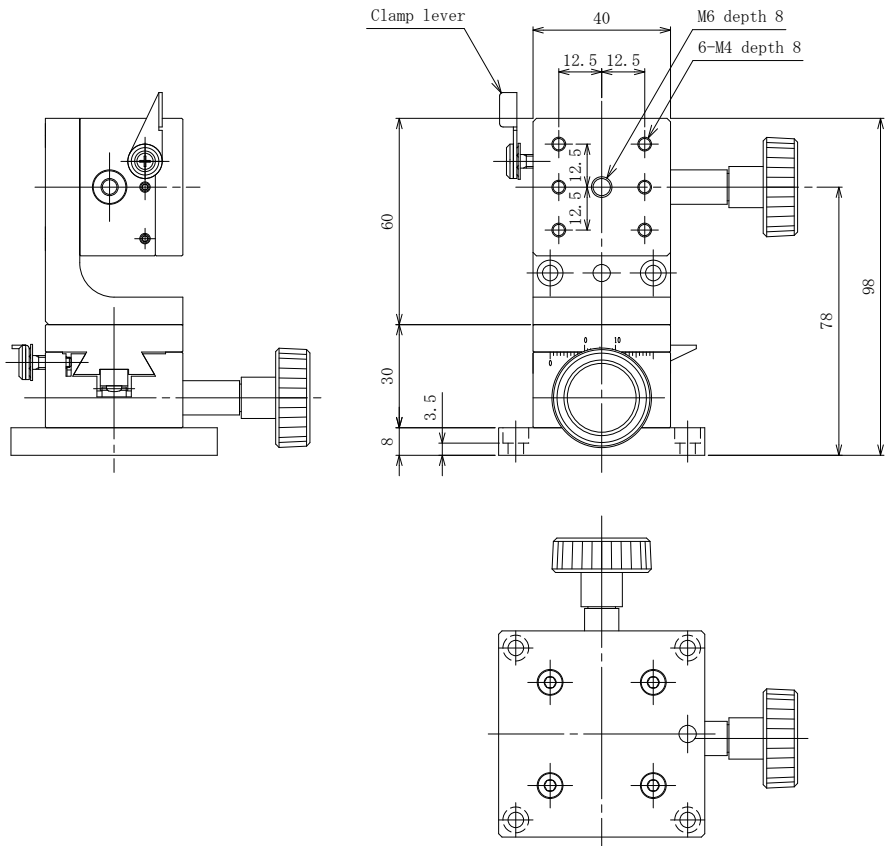


4-4.5 mounting hole,
7.5 deep counterbore



LM-412

DT XZ axis stage 40×40

 CHUO PRECISION INDUSTRIAL CO., LTD.

*Mounting screw : Hexagon socket head cap screw M4, 4 screws