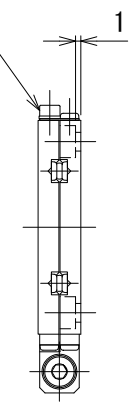
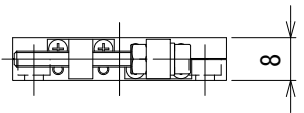
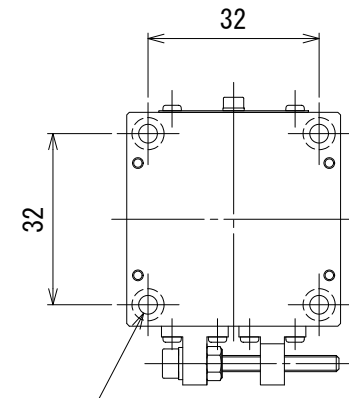


Clamp screw
(Hexagon wrench 1.5)



4-3.5 mounting hole,
6 deep counterbore



LS-T4039-S6A

Thinest VB X stage 40 X 40

 CHUO PRECISION INDUSTRIAL CO., LTD.

rev.-

*Mounting screw : Cross recessed head machine screw M3, 4 pieces