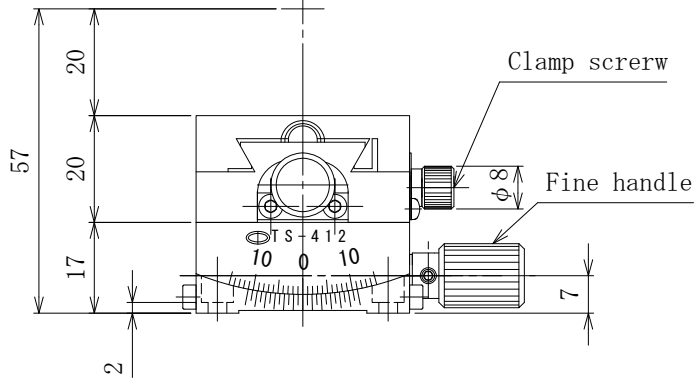


4-3.5 mounting hole,  
6 deep counterbore

\* Lead of actuator Upper axis (TS-411) approx.  $2^{\circ} 8' 34''$   
Lead of actuator Lower axis (TS-412) approx.  $1^{\circ} 20'$



TD-411

Two axis goniometer stage 40×40

 CHUO PRECISION INDUSTRIAL CO., LTD.

rev.4

\*Mounting screw : Hexagon socket head cap screw M3, 4 screws